

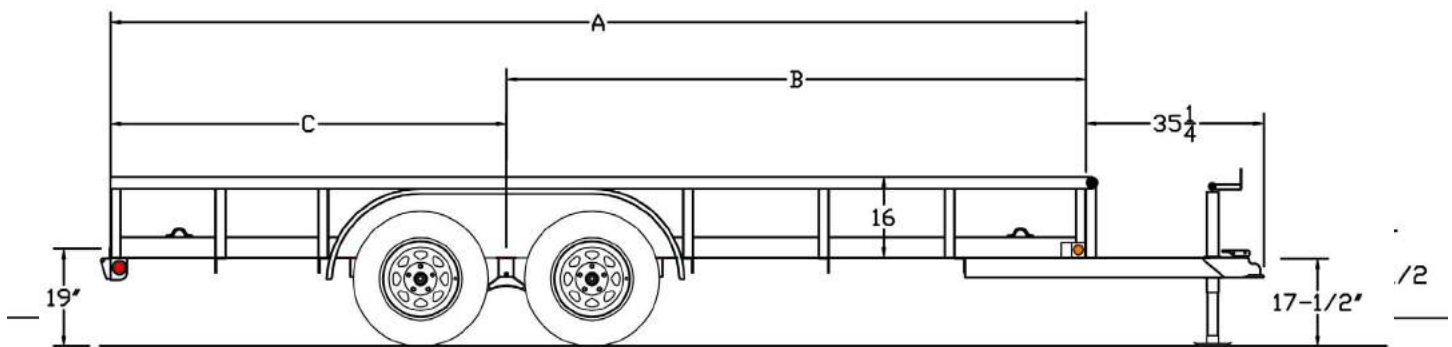
<b>G.V.W.R.</b>	6,000#	<b>Axle</b>	Two 3,500# EZ Lube w/1 Elec. Brake
<b>G.A.W.R. (Ea. Axle)</b>	3,500#	<b>Supension</b>	Multi-Leaf Spring w/Equalizer
<b>Coupler</b>	2" A-Frame	<b>Tire</b>	ST205/75-15 Load Range C
<b>Safety Chains</b>	1/4" Grd. 70 w/Safety Latch Hook (2 ea)	<b>Wheel</b>	15" x 5"; White Spoke 5 on 5 Bolt Pattern
<b>Jack</b>	2K Top Wind (Bolted On)	<b>Floor</b>	2" Pine
<b>Tongue</b>	4" Channel A-Frame	<b>Lights</b>	D.O.T. Stop, Tail, Turn & Clearance
<b>Top Rail</b>	2-3/8" Pipe Square Back	<b>Elec. Plug</b>	7-Way RV
<b>Frame</b>	4" x 3" x 1/4" Angle	<b>Finish (Prep)</b>	Steel is Cleaned to Ensure a Professional Smooth Finish.
<b>Crossmembers</b>	3" x 2" x 3/16" Angle	<b>Finish</b>	Superior Quality Finish is Applied for a Highly Decorative and Protective Finish.
<b>Sides</b>	16" Tall 3" x 2" x 3/16" Angle		
<b>Fenders</b>	9" x 72" Rolled Formed w/Back		

## Standard Features

- (4) Tie Down Loops Inside Bed
- EZ Lube Hubs
- Dexter Brand Axles
- Nev-R-Adjust Electric Brakes
- Cambered Axles
- 2-3/8" Pipe Top Rail
- Grommet Mount Sealed Lighting
- Protected Wiring
- Removable Sand Foot on Jack
- Complete Break-A-Way System w/Charger
- Radial Tires **NEW!**

## Description

Dimensions			
Length	A	B	C
12'	145-1/2"	85"	60-1/2"
14'	169-1/2"	103"	72-1/2"
16'	193-1/2"	115"	78-1/2"



# 60SP Tandem Axle Pipe Special ●



Shown with optional slide-in ramps and spare tire mount

◆ Model	Weight*	Description
60SP-12	1,340#	77" x 12' Economy Tandem Axle Pipe Top Utility Trailer
60SP-14	1,500#	77" x 14' Economy Tandem Axle Pipe Top Utility Trailer
60SP-16	1,650#	77" x 16' Economy Tandem Axle Pipe Top Utility Trailer

\*Weights shown are for base models without options and are estimates only

## Optional Equipment

Category	Description
COUPLERS	2-5/16" Stamped Coupler
BRAKES	Electric Brakes on 2nd Axle
TIRE/WHEEL	Spare Tire Mount (Side)
TIRE/WHEEL	Spare Tire (ST205/75R-15 LR-C)
RAMPS	4' Tall Rear Rampgate
RAMPS	4' Slide-In Angle Ramps

**Economy Style Model - Limited Options, Black Only**